

BALDOR® • RELIANCE 

Product Information Packet

EM7145T

7.5//5HP,3510//2925RPM,3PH,60//50HZ,213T

Part Detail							
Revision:	L	Status:	PRD/A	Change #:		Proprietary:	No
Type:	AC	Elec. Spec:	07WGY328	CD Diagram:	CD0005	Mfg Plant:	
Mech. Spec:	07H271	Layout:	07LYH271	Poles:	02	Created Date:	09-27-2012
Base:	RG	Eff. Date:	07-11-2019	Leads:	9#14		

Specs			
Catalog Number:	EM7145T	Front Shaft Indicator:	None
Enclosure:	XPFC	Heater Indicator:	No Heater
Frame:	213T	Insulation Class:	B
Frame Material:	Iron	Inverter Code:	Not Inverter
Output @ Frequency:	7.500 HP @ 60 HZ	KVA Code:	H
	5.000 HP @ 50 HZ	Lifting Lugs:	Standard Lifting Lugs
Synchronous Speed @ Frequency:	3600 RPM @ 60 HZ	Locked Bearing Indicator:	No Locked Bearing
Voltage @ Frequency:	230.0 V @ 60 HZ	Motor Lead Quantity/Wire Size:	9 @ 14 AWG
	190.0 V @ 50 HZ	Motor Lead Exit:	Ko Box
	460.0 V @ 60 HZ	Motor Lead Termination:	Flying Leads
	380.0 V @ 50 HZ	Motor Type:	X0726M
XP Class and Group:	CLI GP D; CLII GP F,G	Mounting Arrangement:	F1
XP Division:	Division I	Power Factor:	86
Agency Approvals:	UR	Product Family:	General Purpose
	UL	Pulley End Bearing Type:	Ball
	CSA EEV	Pulley Face Code:	Standard
	CSA	Pulley Shaft Indicator:	Standard
Auxillary Box:	No Auxillary Box	Rodent Screen:	None

Auxillary Box Lead Termination:	None	RoHS Status:	ROHS COMPLIANT
Base Indicator:	Rigid	Shaft Extension Location:	Pulley End
Bearing Grease Type:	Polyrex EM (-20F +300F)	Shaft Ground Indicator:	No Shaft Grounding
Blower:	None	Shaft Rotation:	Reversible
Current @ Voltage:	9.000 A @ 460.0 V	Shaft Slinger Indicator:	No Slinger
	7.600 A @ 380.0 V	Speed Code:	Single Speed
	18.000 A @ 230.0 V	Motor Standards:	NEMA
	15.200 A @ 190.0 V	Starting Method:	Direct on line
Design Code:	B	Thermal Device - Bearing:	None
Drip Cover:	No Drip Cover	Thermal Device - Winding:	Normally Closed Thermostat
Duty Rating:	CONT	Vibration Sensor Indicator:	No Vibration Sensor
Electrically Isolated Bearing:	Not Electrically Isolated	Winding Thermal 1:	None
Feedback Device:	NO FEEDBACK	Winding Thermal 2:	None
Front Face Code:	Standard	XP Temp Code:	T3C

Nameplate NP1426XPSLEV	
NO.	[] CC 010A
SER.	[]
SPEC.	07H271Y328G1
CAT.NO.	EM7145T
HP	7.5//5 T. CODE T3C
VOLTS	230/460//190/380
AMPS	18/9//15.2/7.6
RPM	3510//2925
HZ	60//50 PH 3 CL B
SER.F.	1.00 DES B CODE H
RATING	40C AMB-CONT
FRAME	213T NEMA-NOM-EFF 89.5
USABLE AT 208V	PF 86
BLANK	[]

Parts List		
Part Number	Description	Quantity
SA251934	SA 07H271Y328G1	1.000 EA
RA238764	RA 07H271Y328G1	1.000 EA
36FN3000C02SP	EXFN, PLASTIC, 5.25 OD, 1.175 ID	1.000 EA
HW3201A05	3/8-16 EYEBOLT	1.000 EA
07CB1000A01	CONDUIT BOX MACH	1.000 EA
10XN3118A16	5/16-18X1 HEX HD CAP	4.000 EA
HW1001A31	LOCKWASHER 5/16, ZINC PLT.591 OD, .319 I	4.000 EA
11XW1032G06	10-32 X .38, TAPTITE II, HEX WSHR SLTD U	1.000 EA
WD1000B17	T&B CX35TN OR L35P TERMINAL LUG	1.000 EA
07EP1707A01	STD FRONT ENDPLATE EXPLOSION PROOF	1.000 EA
HW4500A19	1/4-28X1/4 SLOTTED PLUG F/S	2.000 EA
10XN3816K28	3/8-16 X 1.75 HEX HD CAP SCREW, GRADE 5	4.000 EA
HW1001A38	LOCKWASHER 3/8, ZINC PLT .688 OD, .382 I	4.000 EA
HW5100A06	W2420-025 WVY WSHR (WB)	1.000 EA
07EP1709A01	STANDARD PULLEY ENDPLATE EXPLOSION PROOF	1.000 EA
HW4500A19	1/4-28X1/4 SLOTTED PLUG F/S	2.000 EA
10XN3816K28	3/8-16 X 1.75 HEX HD CAP SCREW, GRADE 5	4.000 EA
HW1001A38	LOCKWASHER 3/8, ZINC PLT .688 OD, .382 I	4.000 EA
51XB1214A20	12-14X1.25 HXWSSLD SERTYB	1.000 EA
07FH1003A05	FAN HOUSING 307 EXPLOSION PROOF W/ GREAS	1.000 EA
10XN2520A12	1/4-20 X 3/4 HEX HEAD CAP	4.000 EA
07CB1500A01	CONDUIT BOX LID MACH	1.000 EA
10XN2520A16	1/4-20 X 1 HEX HEAD CAP SCR, ZINC PLATED	4.000 EA
HW1001A25	LOCKWASHER 1/4, ZINC PLT .493 OD, .255 I	4.000 EA

Parts List (continued)		
Part Number	Description	Quantity
HW2501F21	KEY, 5/16 SQ X 2.375	1.000 EA
HA7000A02	KEY RETAINER RING, 1 1/8 DIA, 1 3/8 DIA	1.000 EA
85XU0407S04	4X1/4 U DRIVE PIN STAINLESS	6.000 EA
LB1081F	ALUM XP CAUTION LABEL (FS PLANT ONLY-	1.000 EA
LB1115N	LABEL,LIFTING DEVICE (ON ROLLS)	1.000 EA
MJ1000A02	GREASE, MOBIL POLYREX EM - 124047	0.050 LB
MG1025G29	WILKOFAS, 789.229, DARK CHARCOAL GRAY	0.036 GA
LB1119N	WARNING LABEL	1.000 EA
LC0145B01	CONNECTION LABEL	1.000 EA
NP1426XPSLEV	SS XP UL CSA-EEV CC CL-I GP-D	1.000 EA
07PA1011	PKG GRP, 07 CAST IRON PK1181	1.000 EA
10XL3808A28	3/8 X 1 3/4" LAG SCREW	2.000 EA
MN416A01	TAG-INSTAL-MAINT no wire (1200/bx) 3/19	1.000 EA

AC Induction Motor Performance Data

Record # 39945 - Typical performance - not guaranteed values

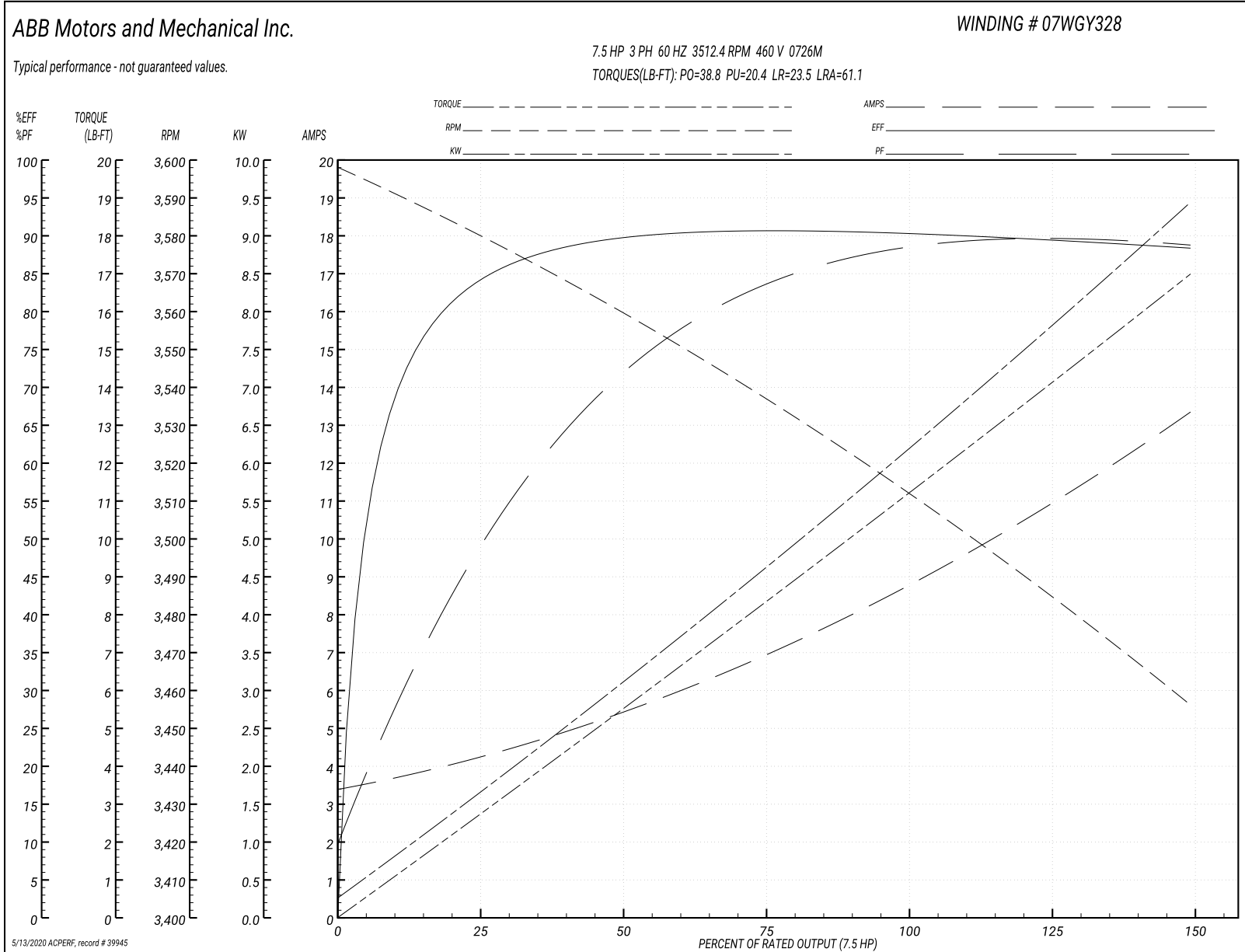
Winding: 07WGY328-R004	Type: 0726M	Enclosure: XPFC
-------------------------------	--------------------	------------------------

Nameplate Data				460 V, 60 Hz: High Voltage Connection	
Rated Output (HP)	7.5//5			Full Load Torque	11.2 LB-FT
Volts	230/460//190/380			Start Configuration	direct on line
Full Load Amps	18/9//15.2/7.6			Breakdown Torque	38.8 LB-FT
R.P.M.	3510//2925			Pull-up Torque	20.4 LB-FT
Hz	60//50	Phase	3	Locked-rotor Torque	23.5 LB-FT
NEMA Design Code	B	KVA Code	H	Starting Current	61.1 A
Service Factor (S.F.)	1			No-load Current	3.54 A
NEMA Nom. Eff.	89.5	Power Factor	86	Line-line Res. @ 25°C	1.2506 Ω
Rating - Duty	40C AMB-CONT			Temp. Rise @ Rated Load	44°C
				Locked-rotor Power Factor	34
				Rotor inertia	0.237 LB-FT ²

Load Characteristics 460 V, 60 Hz, 7.5 HP

% of Rated Load	25	50	75	100	125	150
Power Factor	52	74	82	87	90	89
Efficiency	83.8	89.4	90.5	90.4	89.7	88.5
Speed	3580.9	3559.3	3536.6	3512.4	3485.6	3455.8
Line amperes	4.04	5.31	7.04	8.9	10.9	13.3

Performance Graph at 460V, 60Hz, 7.5HP Typical performance - Not guaranteed values



AC Induction Motor Performance Data

Record # 39946 - Typical performance - not guaranteed values

Winding: 07WGY328-R004	Type: 0726M	Enclosure: XPFC
-------------------------------	--------------------	------------------------

Nameplate Data				380 V, 50 Hz: High Voltage Connection	
Rated Output (HP)	7.5//5			Full Load Torque	8.94 LB-FT
Volts	230/460//190/380			Start Configuration	direct on line
Full Load Amps	18/9//15.2/7.6			Breakdown Torque	37 LB-FT
R.P.M.	3510//2925			Pull-up Torque	21.5 LB-FT
Hz	60//50	Phase	3	Locked-rotor Torque	24.8 LB-FT
NEMA Design Code	B	KVA Code	H	Starting Current	59.2 A
Service Factor (S.F.)	1			No-load Current	3.43 A
NEMA Nom. Eff.	89.5	Power Factor	86	Line-line Res. @ 25°C	1.19 Ω
Rating - Duty	40C AMB-CONT			Temp. Rise @ Rated Load	34°C
				Locked-rotor Power Factor	38
				Rotor inertia	0.237 LB-FT ²

Load Characteristics 380 V, 50 Hz, 5 HP

% of Rated Load	25	50	75	100	125	150
Power Factor	47	68	78	84	88	88
Efficiency	79.9	86.9	88.7	89.4	88.8	87.7
Speed	2984	2966	2948	2928	2907	2883
Line amperes	3.8	4.78	6.12	7.55	9.1	11

Performance Graph at 380V, 50Hz, 5.0HP Typical performance - Not guaranteed values

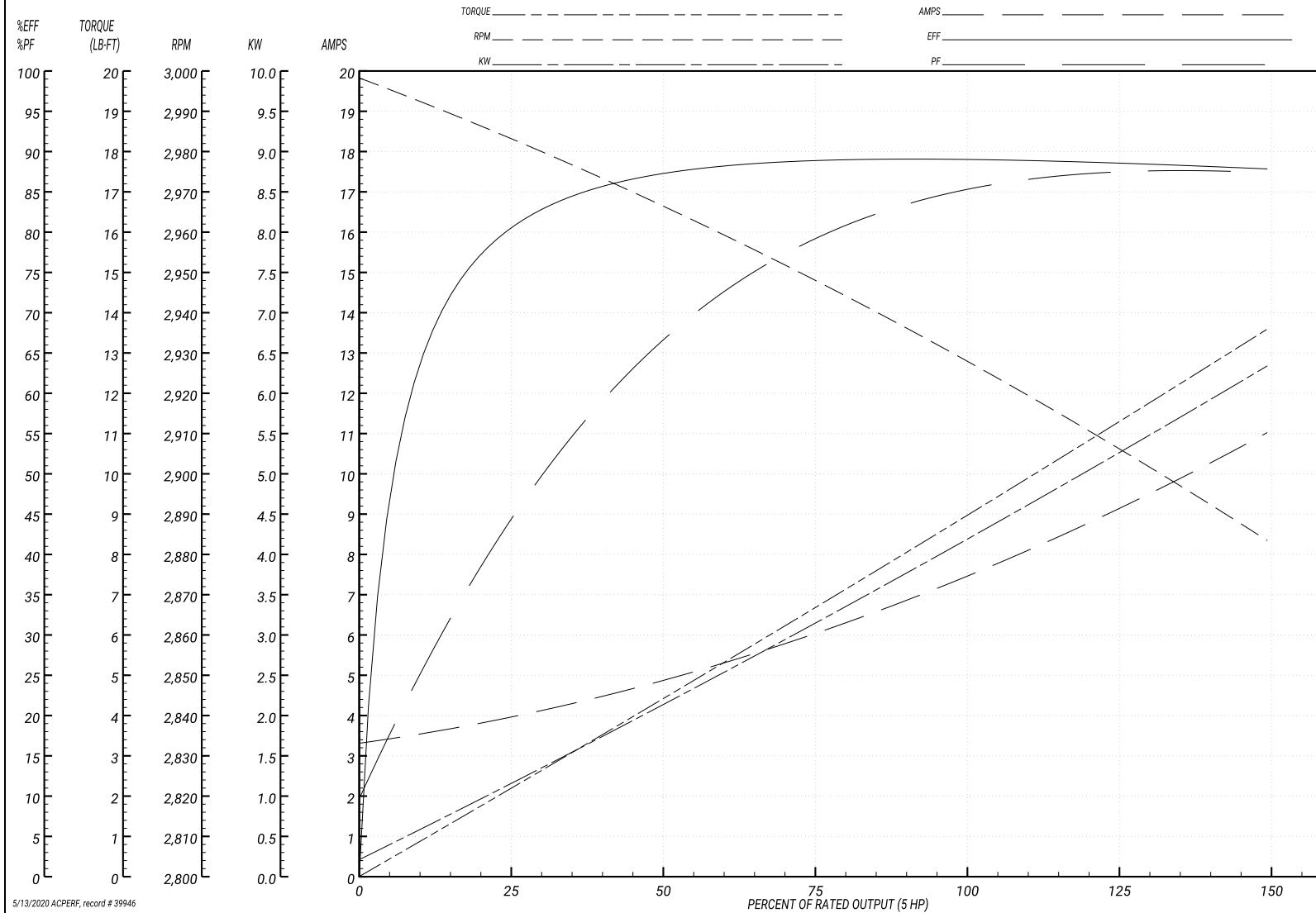
ABB Motors and Mechanical Inc.

WINDING # 07WGY328

Typical performance - not guaranteed values.

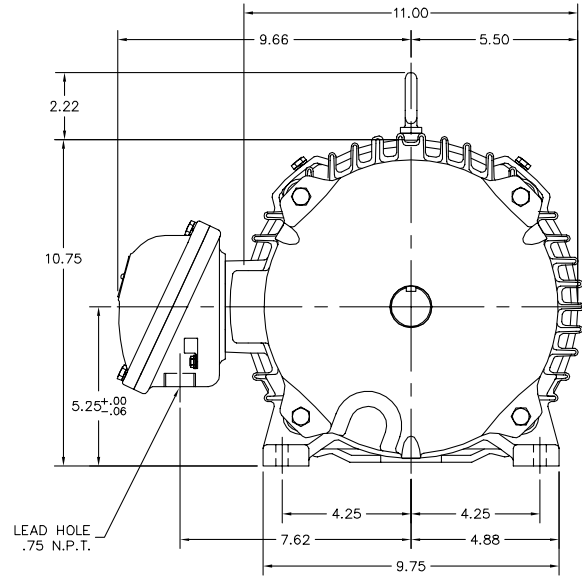
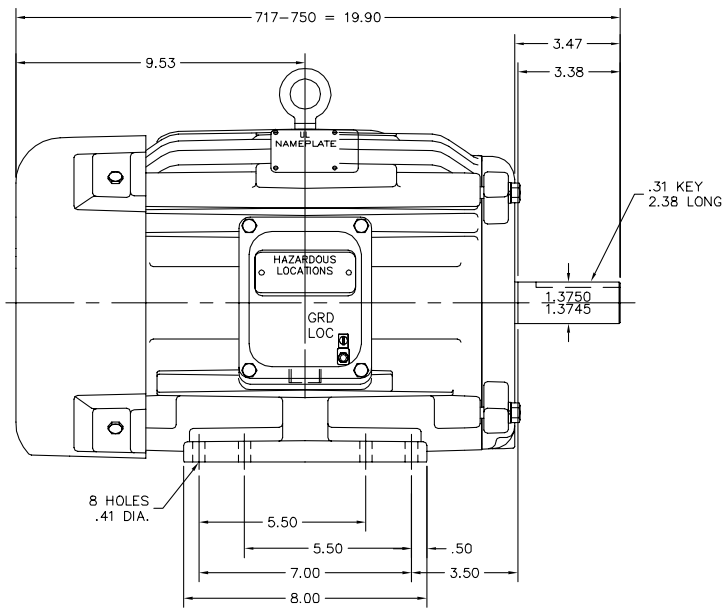
5 HP 3 PH 50 HZ 2928 RPM 380 V 0726M

TORQUES(LB-FT): PO=37 PU=21.5 LR=24.8 LRA=59.2



5/13/2020 ACPERF, record # 39946

07LYH271



CUSTOMER IS RESPONSIBLE FOR DETERMINING THAT MOTOR PERFORMANCE IS SUITABLE IN THE APPLICATION.

REV. DESC: UPDATE DESCRIPTION		
REV. LTR: B	VERSION: 01	TDR: 000000455347
FILE: \AAA\00005\928	REVISED: 11:23:02 02/04/2008	BY: ENBRAMO
MTL: -		

BALDOR • DODGE • RELIANCE

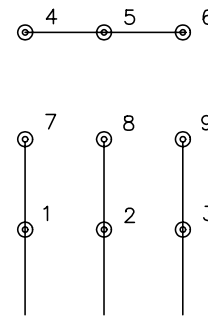
STD HORZ 213-ST XPFC X307M CL-I GP-D CL-II GP F&G

07LYH271

CD0005

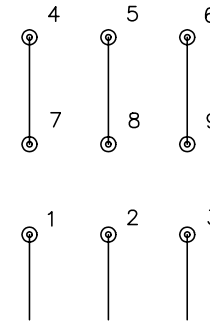


LOW VOLTAGE
(2Y)



LINE

HIGH VOLTAGE
(1Y)



LINE

NOTES:

1. INTERCHANGE ANY TWO LINE LEADS TO REVERSE ROTATION.
2. OPTIONAL THERMOSTATS ARE PROVIDED WHEN SPECIFIED.
3. ACTUAL NUMBER OF INTERNAL PARALLEL CIRCUITS MAY BE A MULTIPLE OF THOSE SHOWN ABOVE.
4. LEAD COLORS ARE OPTIONAL. LEADS MUST ALWAYS BE NUMBERED AS SHOWN.

REV. DESC: REVISE TO SHOW OPTIONAL COLORS

REV. LTR: E BY: JLP

REVISED: 01/19/99 10:15

TDR: 0171435

90000

FILE: AAA00005140

MDL: -

MTL: -

BALDOR ELECTRIC Co.

3PH, DV, 9 LEADS

CD0005